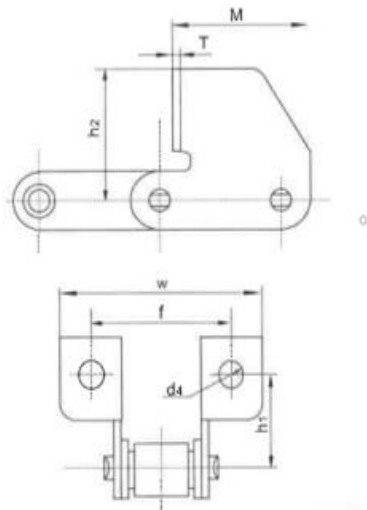


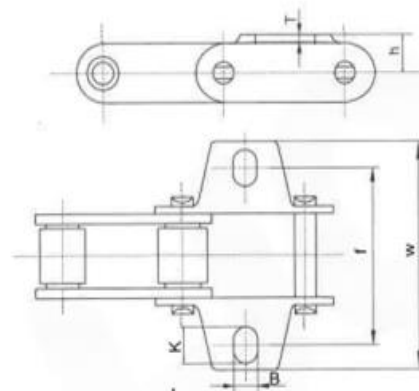
# CATENE PER L'AGRICOLTURA ATTACCHI MAIS 4

## CHAINS AGRICULTURAL ATTACHMENTS MAIS 4



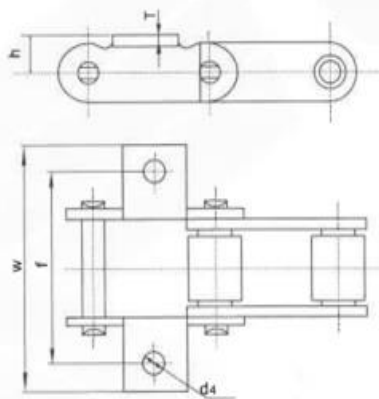
Type F4

| Type | Chain No. | f mm | W mm | h1 mm | h2 mm | T mm | d4 mm | M mm |
|------|-----------|------|------|-------|-------|------|-------|------|
| F4   | CA550     | 47.6 | 68.3 | 31    | 42.9  | 2.62 | 8.33  | 36.9 |



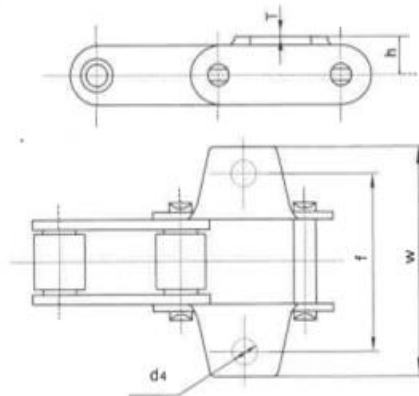
Type K1 K40

| Type | Chain No. | f mm | W mm | h mm | B mm | K mm | T mm |
|------|-----------|------|------|------|------|------|------|
| K1   | CA550     | 52.5 | 76.2 | 12.7 | 8.30 | 10.0 | 2.62 |
| K40  | CA550     | 54.0 | 71.4 | 12.7 | 8.35 | 11.5 | 2.62 |



Type K1

| Type | Chain No. | f mm | W mm | h mm | d4 mm | T mm |
|------|-----------|------|------|------|-------|------|
| K1   | CA620     | 62.7 | 80.2 | 11.5 | 6.75  | 3.2  |



Type K19 K25 K27

| Type | Chain No. | f mm | w mm | h mm | d4 mm | T mm |
|------|-----------|------|------|------|-------|------|
| K19  | CA550     | 50.8 | 71.4 | 12.7 | 6.75  | 2.62 |
| K25  | CA550     | 50.8 | 71.4 | 12.7 | 8.33  | 2.62 |
| K27  | CA550     | 54.0 | 71.4 | 12.7 | 8.33  | 2.62 |