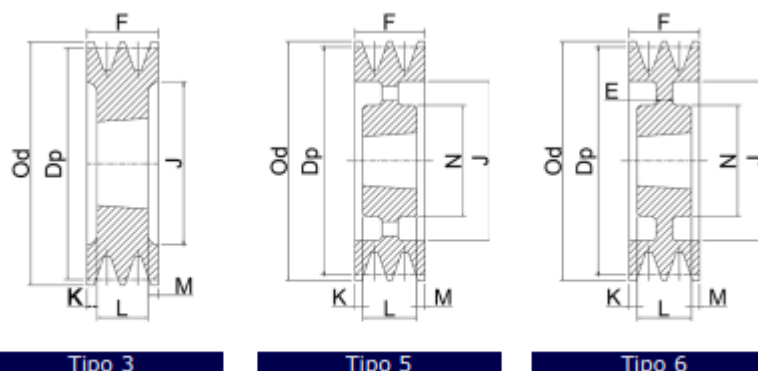


# PULEGGE SPC 10 gole

Pulley SPC 10 socket



Tipo 3

Tipo 5

Tipo 6

## Pulegge SPC a 10 gole

Descrizione prodotto	Diam. primitivo Dp	Misura bussola	Foro max (bussola)	Diam. esterno Od	Tipo	E	F	J	K	L	M	N	kg
10SPC250	250	4040	100	259.6	3	-	263.5	196	80.75	102	80.75	-	36
10SPC280	280	4040	100	289.6	3	-	263.5	226	80.75	102	80.75	-	47
10SPC300	300	4545	110	309.6	3	-	263.5	245	74.75	114	74.75	-	54
10SPC315	315	4545	110	324.6	3	-	263.5	258	74.75	114	74.75	-	62.6
10SPC355	355	4545	110	364.6	3	-	263.5	299	74.75	114	74.75	-	68.3
10SPC375	375	4545	125	384.6	6	70	263.5	319	74.75	114	74.75	225	66.3
10SPC400	400	5050	125	409.6	6	70	263.5	342	68.25	127	68.25	245	80
10SPC450	450	5050	125	459.6	6	25	263.5	394	68.25	127	68.25	245	93
10SPC500	500	5050	125	509.6	6	25	263.5	444	68.25	127	68.25	245	110
10SPC560	560	5050	125	569.6	5	-	263.5	504	68.25	127	68.25	245	124
10SPC630	630	5050	125	639.6	5	-	263.5	574	68.25	127	68.25	245	141.8
10SPC710	710	5050	125	719.6	5	-	263.5	656	68.25	127	68.25	245	158.3
10SPC800	800	5050	125	809.6	5	-	263.5	737	0	127	68.25	245	187.1
10SPC1000	1.000	5050	125	1009.6	5	-	263.5	937	68.25	127	68.25	245	274.3
10SPC1250	1250	5050	125	1259.6	5	-	263.5	1187	68.25	127	68.25	245	340.6

*N.B. Il tipo 4 e 5 sono pulegge a raggi.  
Le dimensioni non funzionali possono variare.*