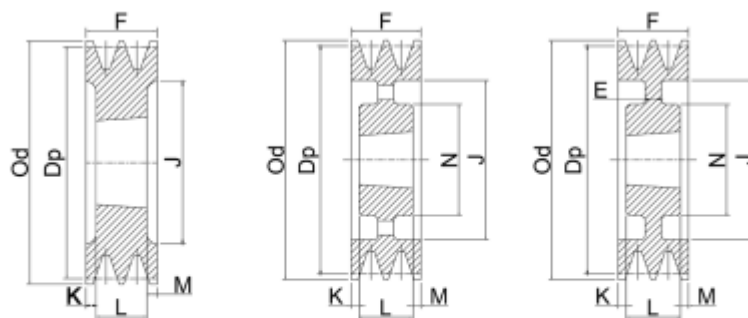


# PULEGGE SPB 10 gole

Pulley SPB 10 socket



Tipo 3

Tipo 5

Tipo 6

## Pulegge SPB a 10 gole

Descrizione prodotto	Diam. primitivo Dp	Misura bussola	Foro max (bussola)	Diam. esterno Od	Tipo	E	F	J	K	L	M	N	kg
10SPB224	224	3535	90	231	3	-	196	181	53.5	89	53.5	-	21.8
10SPB236	236	3535	90	243	3	-	196	193	53.5	89	53.5	-	26.4
10SPB250	250	3535	90	257	3	-	196	207	53.5	89	53.5	-	30.3
10SPB280	280	3535	90	287	3	-	196	237	53.5	89	53.5	-	32.4
10SPB315	315	3535	90	322	6	30	196	272	53.5	89	53.5	170	35.3
10SPB335	335	4040	100	342	6	30	196	292	47	102	47	200	39.4
10SPB355	355	4040	100	362	6	30	196	312	47	102	47	200	47.5
10SPB400	400	4040	100	407	6	30	196	357	47	102	47	200	52
10SPB450	450	4545	110	457	5	-	196	407	41	114	41	225	62.7
10SPB500	500	4545	110	507	5	-	196	457	41	114	41	225	75
10SPB560	560	4545	110	567	5	-	196	517	41	114	41	225	80.5
10SPB630	630	4545	110	637	5	-	196	587	41	114	41	225	89.4
10SPB710	710	4545	110	717	5	-	196	664	41	114	41	225	117.8
10SPB800	800	4545	110	807	5	-	196	754	41	114	41	225	131.7
10SPB900	900	5050	125	907	5	-	196	854	34.5	127	34.5	245	160.1
10SPB1000	1.000	5050	125	1007	5	-	196	954	34.5	127	34.5	245	193.2