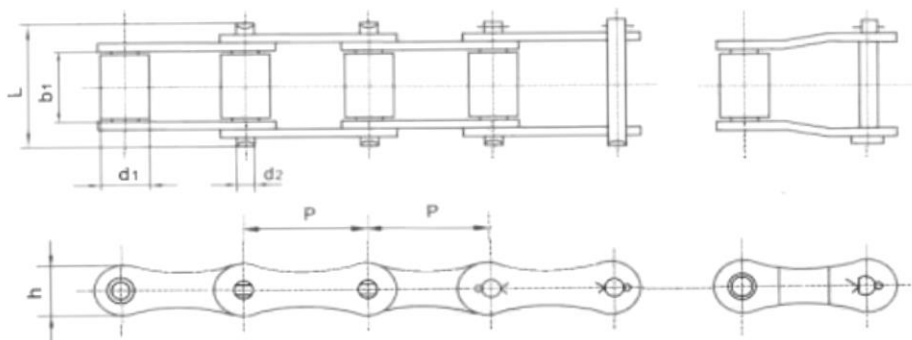


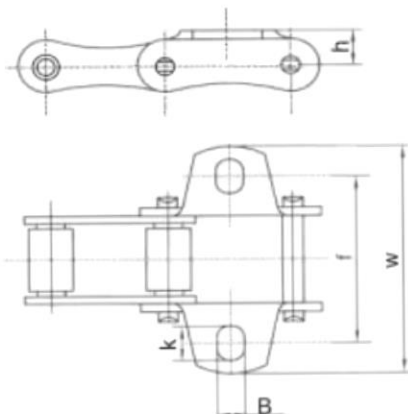
CATENE PER L'AGRICOLTURA 1

CHAINS AGRICULTURAL 1



CHJC Chain No.	Pitch mm	d1 max mm	b1 min mm	h max mm	d2 max mm	max mm	L max mm	U.T.S KN	A.T.S KN	q kg/m
S32	29.21	11.43	15.88	13.40	4.45	1.80	26.70	8.00	9.60	0.918
S42	34.93	14.27	19.05	19.70	7.01	2.80	34.20	26.70	32.04	1.835
S45	41.40	15.24	22.23	17.20	5.74	2.80	36.90	17.80	21.36	1.605
S52	38.10	15.24	22.23	17.20	5.74	2.80	36.90	17.80	21.36	1.811
S55	41.40	17.78	22.23	17.20	5.74	2.80	36.90	17.80	21.36	1.865
S62	41.91	19.05	25.40	17.20	5.74	2.50	40.00	26.70	32.04	2.171
S77	58.34	18.26	22.23	25.80	8.92	4.00	43.30	44.50	53.40	2.685
S88	66.27	22.86	28.58	26.00	8.92	4.00	49.70	44.50	53.40	3.223
A550	41.40	16.70	19.81	19.05	7.16		34.50	39.10	46.92	1.776
A620	42.01	17.91	24.51	19.05	7.16		41.50	39.10	46.92	2.438

K1 附件 K1 Attachment



CHJC Chain No.	f mm	B mm	K mm	W mm	h mm
S32	42.90	6.50	8.10	60.00	8.60
S42	54.00	8.30	12.50	74.00	14.00
S45	54.00	8.30	11.50	74.00	11.40
S52	58.80	8.50	10.00	77.20	11.40
S55	54.00	8.30	11.50	74.00	11.40
S62	66.60	8.50	14.80	95.00	11.40
S77	76.20	8.50	11.50	101.00	20.80
S88	96.80	8.50	10.00	119.00	20.80