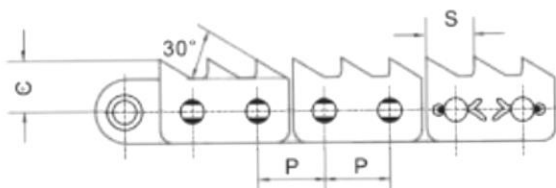
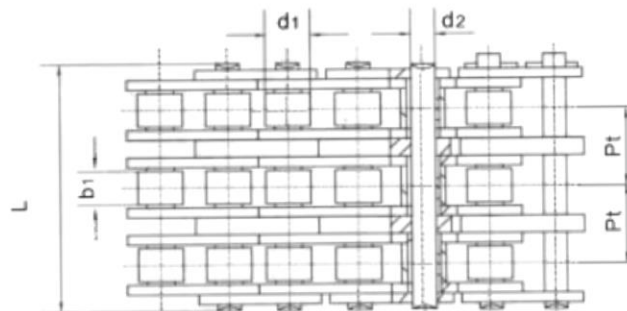
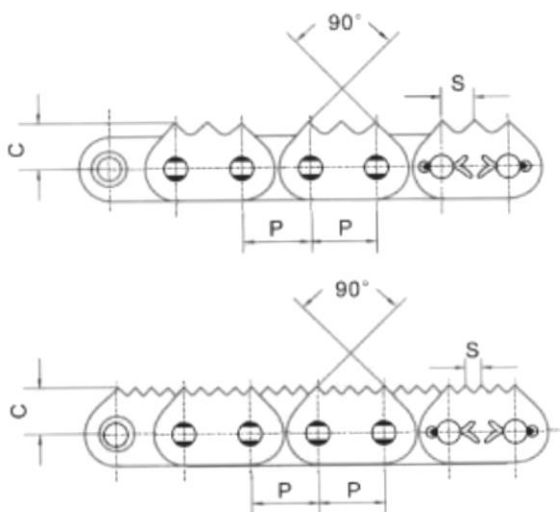
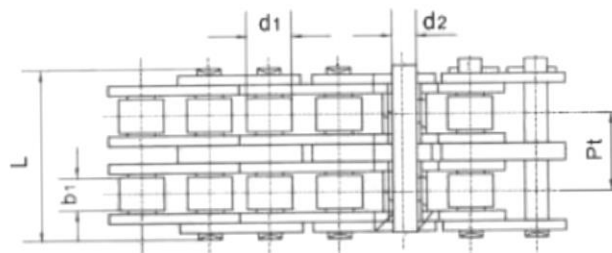
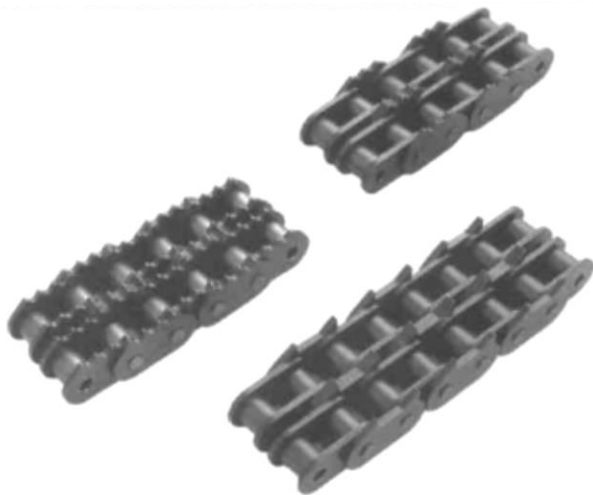


CATENE TRASPORTO TRONCHI E LEGNO 4

CHAINS SCHARP 4



CHJC Chain No.	Pitch		b ₁ min mm	d ₁ max mm	d ₂ max mm	L max mm	C mom mm	S mom mm	U.T.S KN	A.T.S KN	q ₇₀ kg/m
	mm	inch									
C16AF1-3	25.4	1"	15.75	15.88	7.92	91.7	17.50	12.20	166.8	198.4	9.36
C16AF2-3	25.4	1"	15.75	15.88	7.92	91.7	17.50	6.35	166.8	198.4	9.58
C20AF1-2	31.75	1 1/4"	18.90	19.05	9.53	76.4	21.09	23.11	173.5	202.9	9.23
C20AF1-3	31.75	1 1/4"	18.90	19.05	9.53	112.2	21.09	23.11	260.2	309.6	13.4



OGNIBENE S.P.A. _ VIA DEL TIPOGRAFO, 6 _ 40138 BOLOGNA _ ITALY
 TEL: +39 051 534225 _ FAX: +39 051 535083
sales@ognibenechaintech.it _ www.ognibenechaintech.com