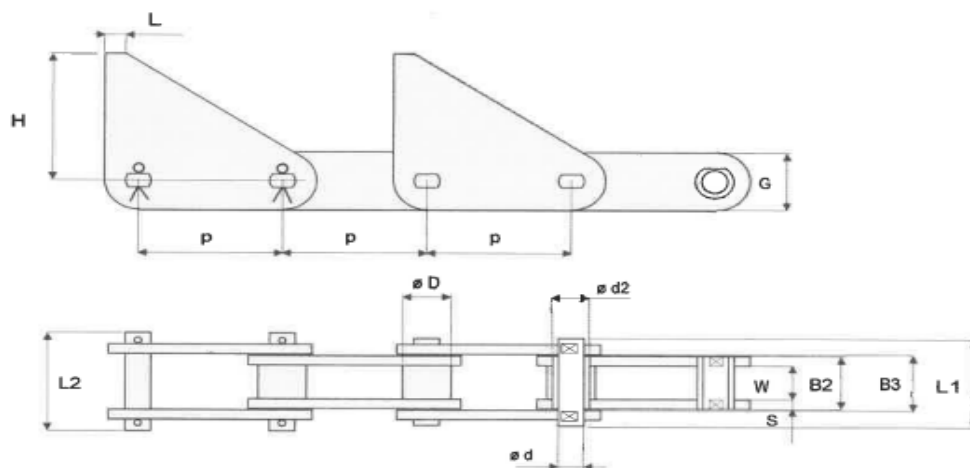



# CATENE TRASPORTO CONVEYOR SPECIALI 5

## CHAINS METRIC CONVEYOR SPECIAL 5

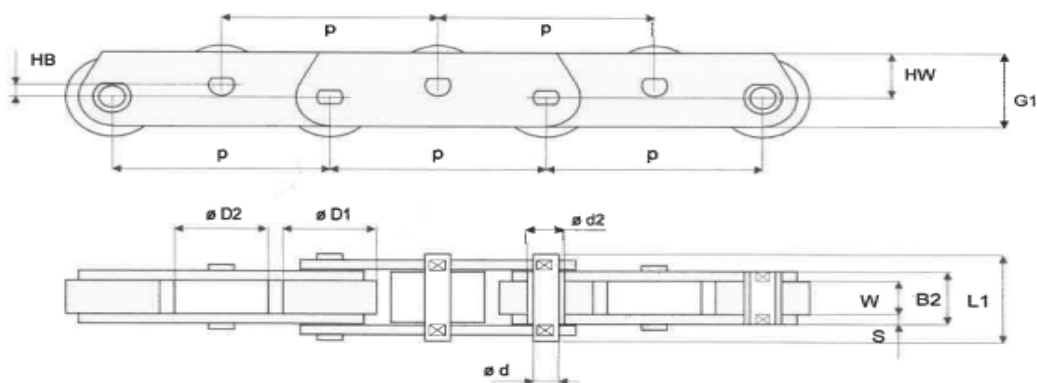


Secondo Norma DIN 8167

dimensioni mm

 classe M	CARATTERISTICHE CATENE														
	passo catena	largh interna	perno catena	diámetro bussola	diámetro rullo	larghezza interna		lunghezza perno	ingombro max	altezza piastra	(f) superf di snodo	carico rottura MIN	altezza piastra		
	p	W	d	d2	D	B2	B3	L1	L2	G	(cm2)	(KN)	H	L	S
M - 56	80	24,0	10,0	15,0	-	33,0	33,3	72,0	30,0	30,0	3,30	56,0	60,0		4,0
M - 80	100	28,0	12,0	18,0	25,0	39,0	39,4	86,0	35,0	35,0	4,68	80,0	76,5		5,0
M - 112	100	32,0	15,0	21,0	30,0	45,0	45,5	101,0	40,0	40,0	6,75	112,0	90,0		6,0

### CATENE ACCUMULO serie M



Catene per accumulo passo 160 mm (derivata dalla M-112)

dimensioni mm

codice	p	W	d	d2	D1	D2	B2	L1	S	G1	HW	HB	S	(KN)	Kg/m
318 641 161	160	30,0	16,0	22,0	55,0	55,0	42,0	63,0	6,0	50,0	30,00	10,0	6,0	112,0	13,1



OGNIBENE S.P.A. \_ VIA DEL TIPOGRAFO, 6 \_ 40138 BOLOGNA \_ ITALY  
 TEL: +39 051 534225 \_ FAX: +39 051 535083  
[sales@ognibenechaintech.it](mailto:sales@ognibenechaintech.it) \_ [www.ognibenechaintech.com](http://www.ognibenechaintech.com)