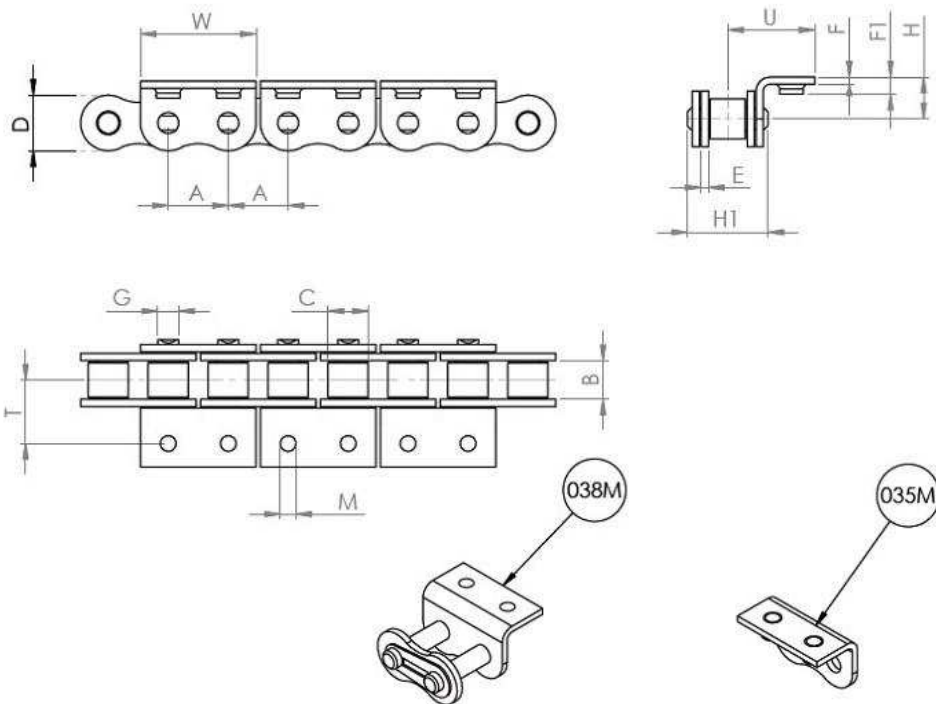
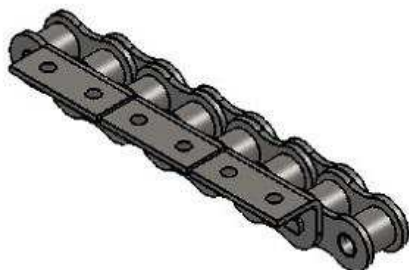


# CATENE OE CON ATTACCHI A2M FILETTATI (WA2M) VERS. OGNIBENE/AS E OGNIBENE OE CHAINS WITH A2M (WA2M) ATTACHMENTS WIRE OGNIBENE/AS VERSION



## ISO STANDARD

CHAIN CODE	REF.	A - PITCH (MM)	B - INSIDE WIDTH	C - ROLLER DIAM MIN	E - PLATE WIDTH INNER MAX	F - PLATE WIDTH OUTER MAX	G - PIN DIAM. MAX	H1 - PIN LENGTH MAX	K	W	H	M	T	U	ISO606 TENSILE STRENGTH (NEWTONS) MIN
511603235M	08B1	12.700	7.750	8.510	1.500	1.500	4.450	16.500	12.7	24.4	8.5	M4	13.8	20.95	17800
511623235M	10B1	15.875	9.650	10.160	1.500	1.500	5.080	18.800	15.9	29.9	10.3	M5	15.9	24.8	22200
511642235M	12B1	19.050	11.680	12.070	1.760	1.760	5.720	21.900	19	35.4	12.2	M6	17.6	27.3	28900
511666235M	16B1	25.400	17.020	15.880	3.700	3.000	8.280	34.900	25.4	45.4	17	M6	29	41.9	60000